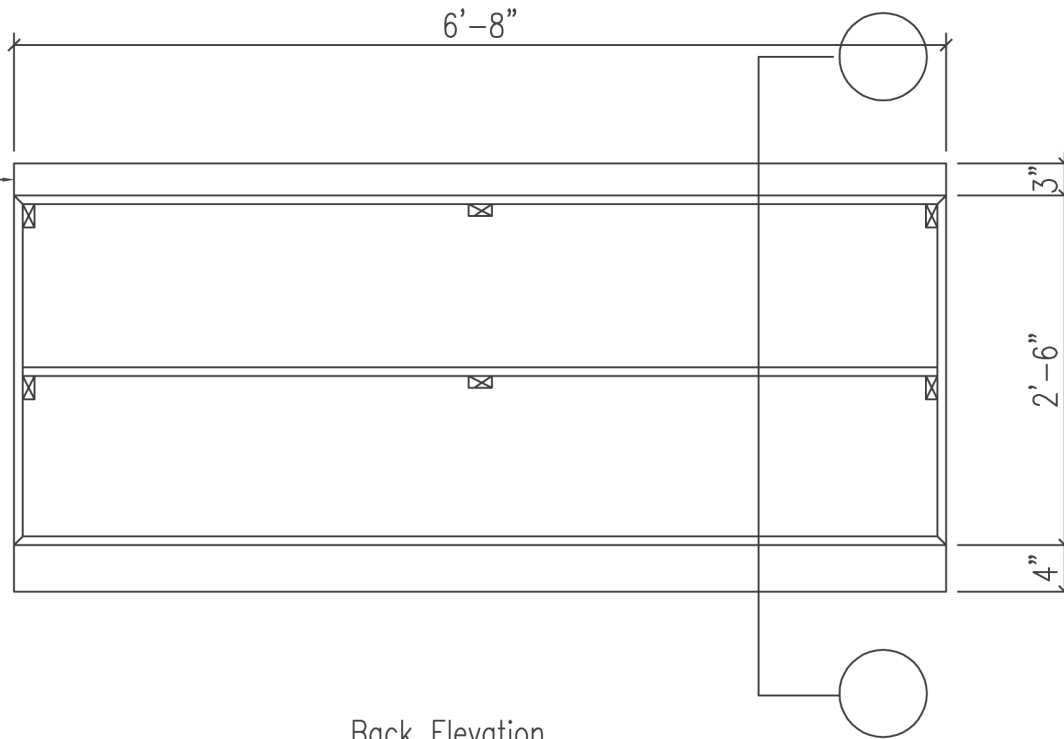
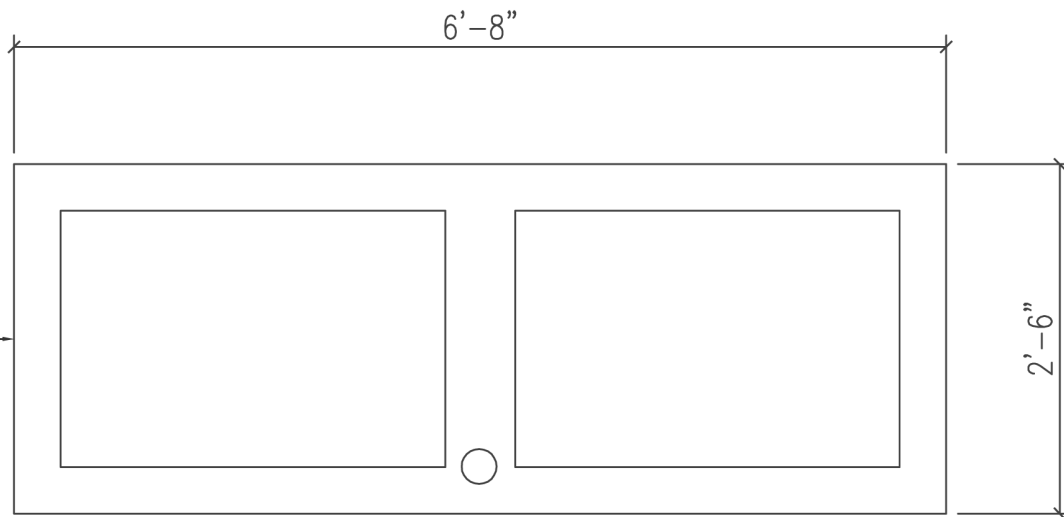


Original Closet Door  
Door Knob Hole left open for electrical cords

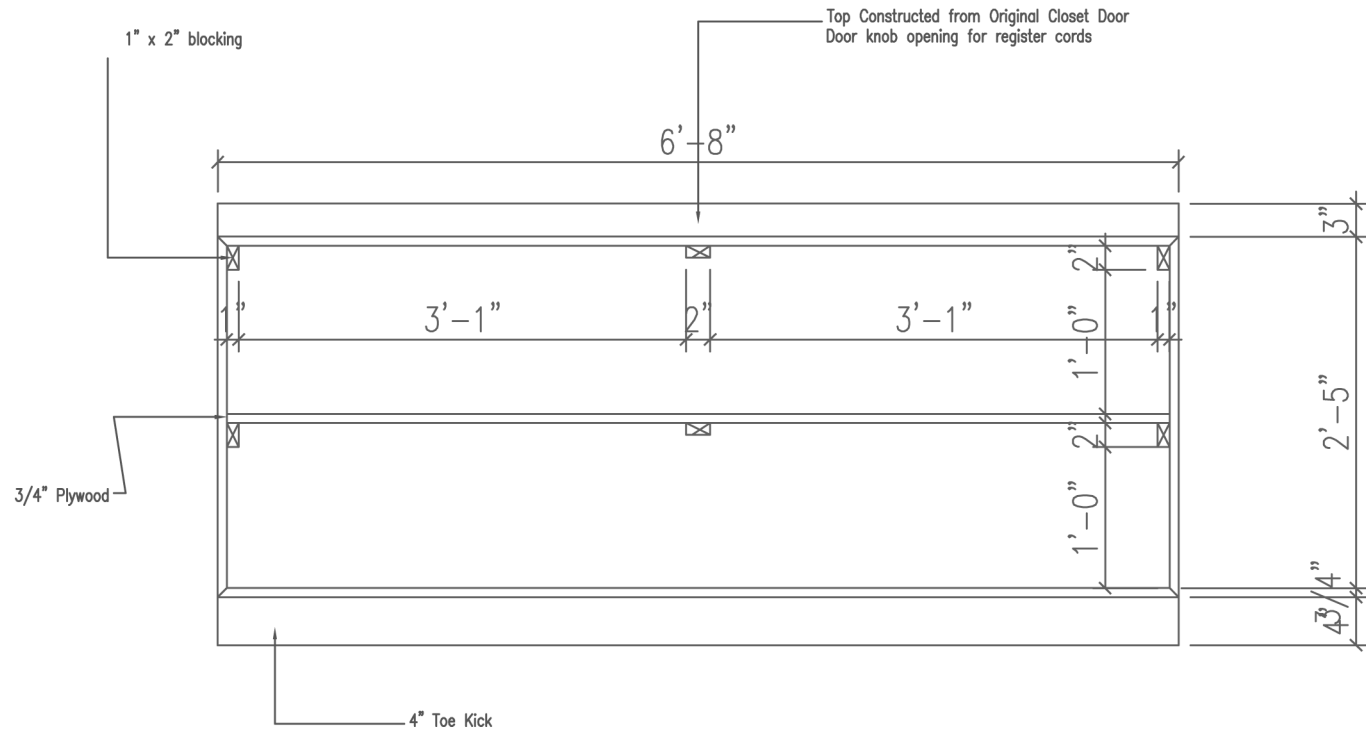


Back Elevation  
Scale 3/4" = 1'-0"

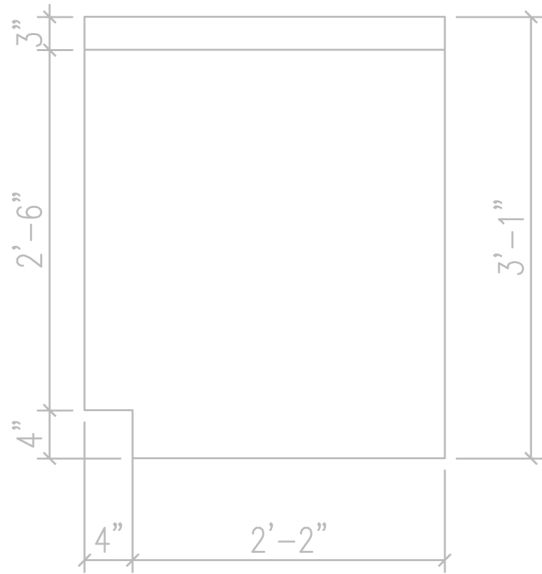
Original Closet Door  
Door Knob Hole left open for electrical cords



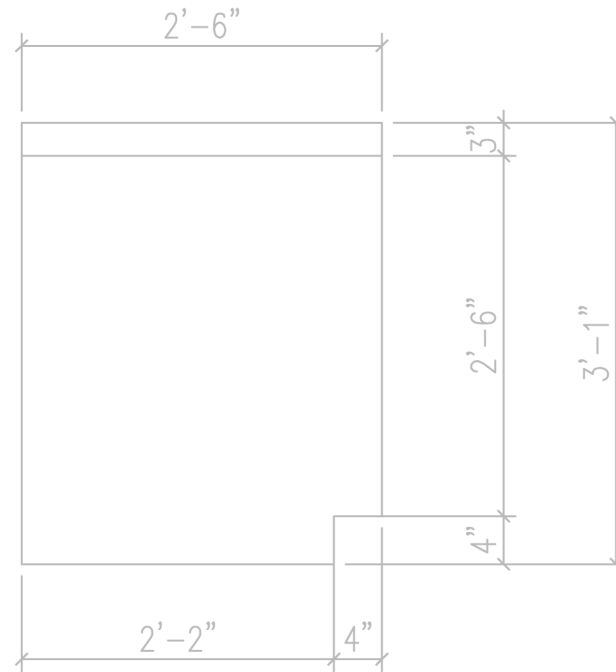
Top View  
Scale 3/4" = 1'-0"



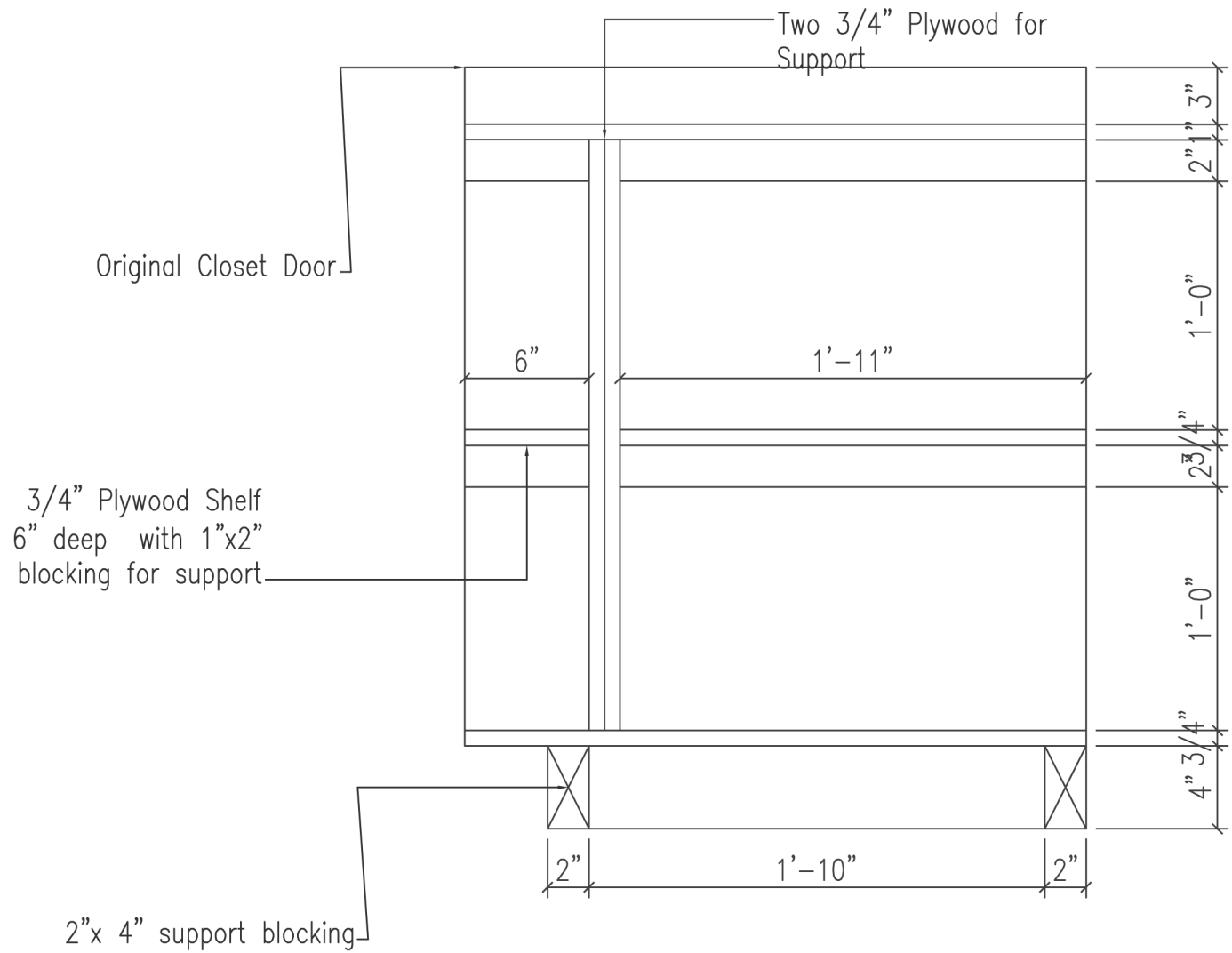
Front Elevation  
 Scale 3/4" = 1'-0"



Left Elevation  
 Scale  $3/4" = 1'-0"$



Right Elevation  
 Scale  $3/4" = 1'-0"$



Construction Section  
Scale 1 1/2" = 1'-0"